



Custom Oil Pan Sheet

Use this sheet as a design for your oil pans. All information is important to the overall product. It is important to be as precise as possible so there are no errors when installing the new pan.

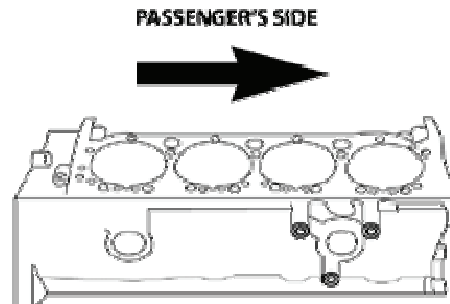
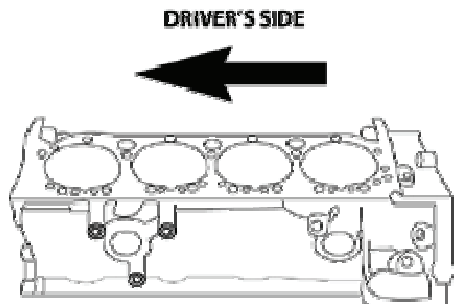
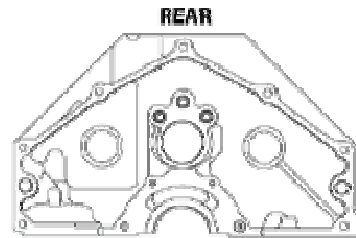
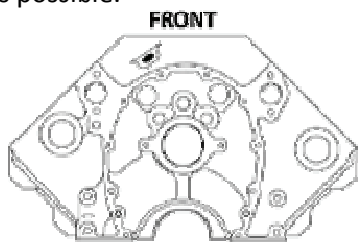
Sold To:

Name _____
Attn: _____
Address _____
City, State, Zip _____
Phone _____ Fax _____

Make: _____
Displacement: _____
Stroke: _____
Starter Location: _____
Starter Type: Pass. ___ Driver ___ Rev. ___ None ___
Starter Mfr: _____

Material: Steel _____ Alum. _____
Style: Wet Sump ___ Dry Sump ___ External ___
Depth: Front _____ Rear _____
Pump Style / Type Used _____

Please use the pictures to sketch your pan. Use as many dimensions as possible.



Ship To:

Name _____
Attn: _____
Address _____
City, State, Zip _____
Phone _____ Fax _____

Block Style: _____
Rear Main Seal: 1 Pc. _____ 2 Pc. _____
Rods: Steel _____ Alum _____
Fly Wheel, Number of teeth: _____

Pickup Location (s) _____
Number Of Pickups Male _____ Female _____
Pickup Fitting Size _____
Windage Tray: Alum ___ Steel ___ Expanded Metal: ___